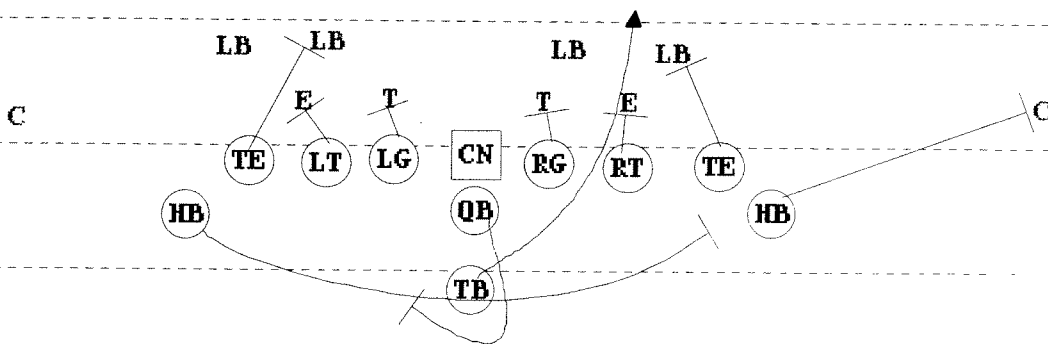


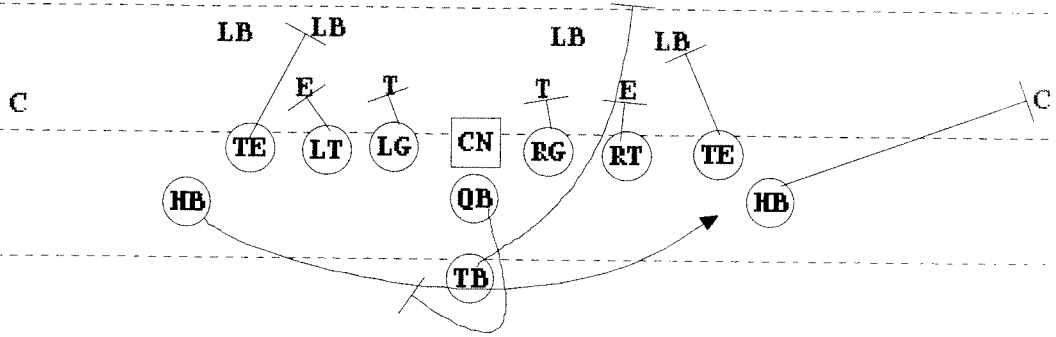
Ace 17 boot. QB fake to lwb going right. no blocking for qb has to be able to make people miss.

\$



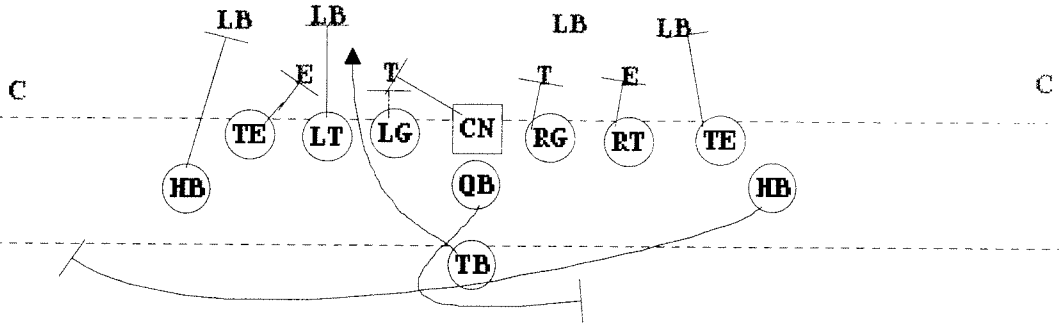
ace formation 22 dive/fake 38speed . tb runs between the rg and rt and qb runs out the opposite way 3 back fake going to the right.

\$



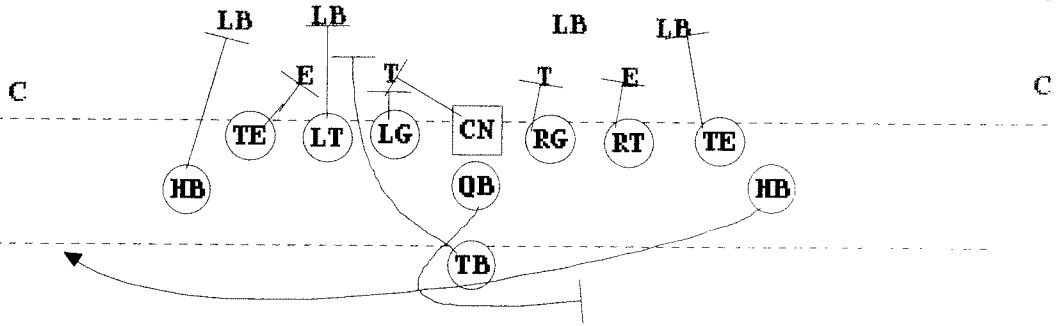
ace fake 22 dive/38speed . tb runs between the rg and rt and qb  
runs  
out the  
opposite way 3 back run going to the right.

\$

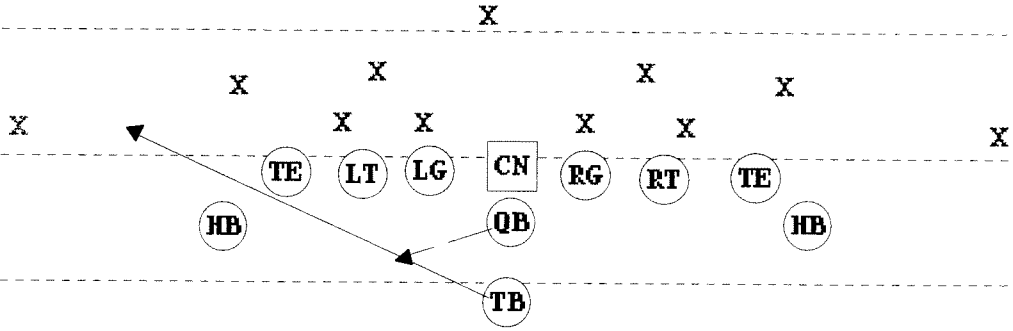


ace formation 23 dive/fake 47 speed. tb runs between the lg and lt and qb runs out the opposite way 4 back fake going to the right.

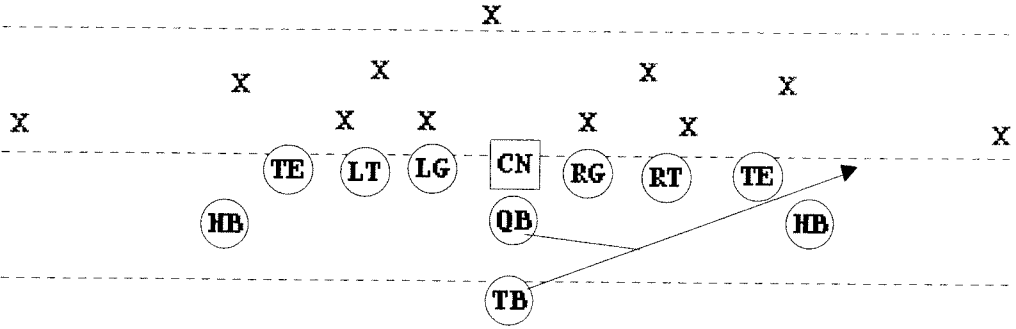
\$



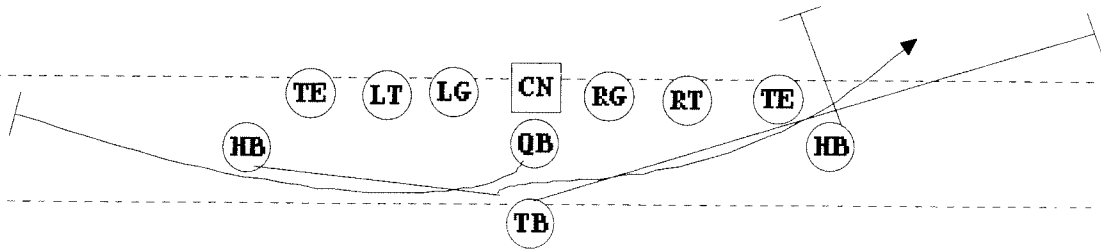
ace fake 23 dive/47 speed. tb runs between the lg and lt and qb runs out the opposite way 4 back run going to the right.



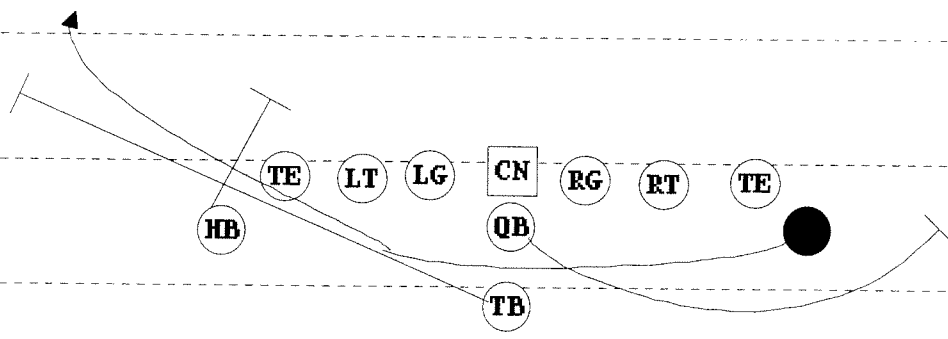
ace formation 27 stretch. tb runs between the thru 7hole qb runs out the opposite way



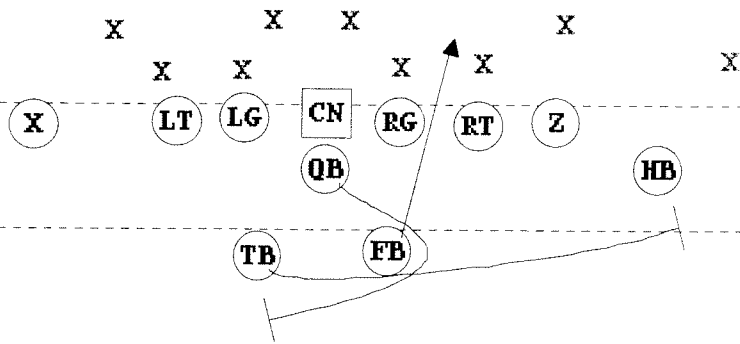
ace formation 28 stretch. tb runs between the thru 8hole qb runs out the opposite way



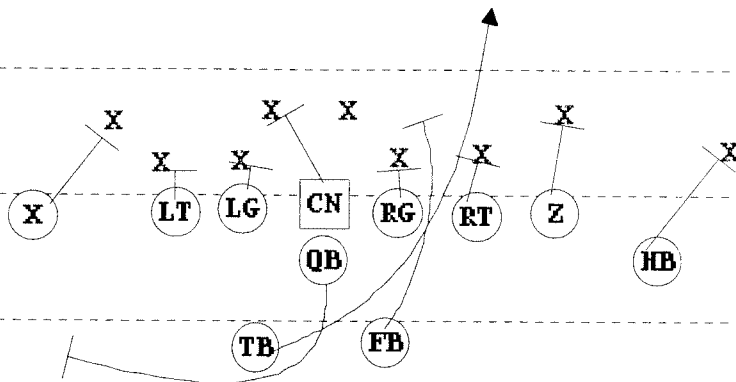
ace 38 speed. lwb comes behind the qb running right and take the hand-off and looks to get to the outside of the play. the qb runs bootleg out the left side.



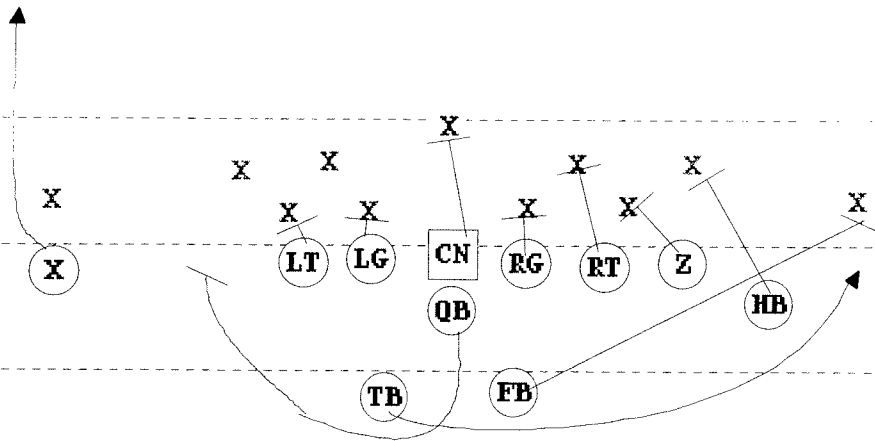
ace 47 sweep. the rwb comes behind the qb and take the ball running left and the lwb and the tb run out to block the first man they see. the qb run out to the right side faking like he has the ball.



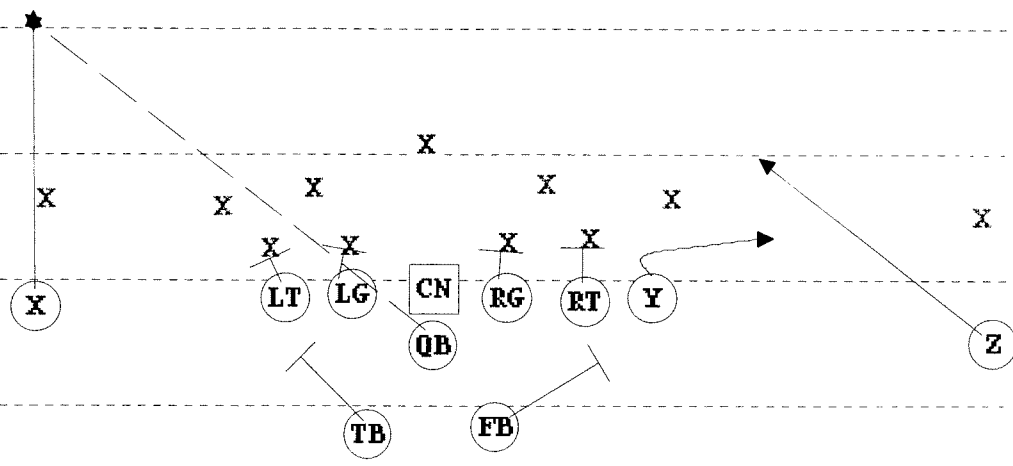
ProRt 22 Blast- the 2 back takes the handoff and the 3back takes a step to the left then he runs out the 8 hole and the qb fake to the 3back.



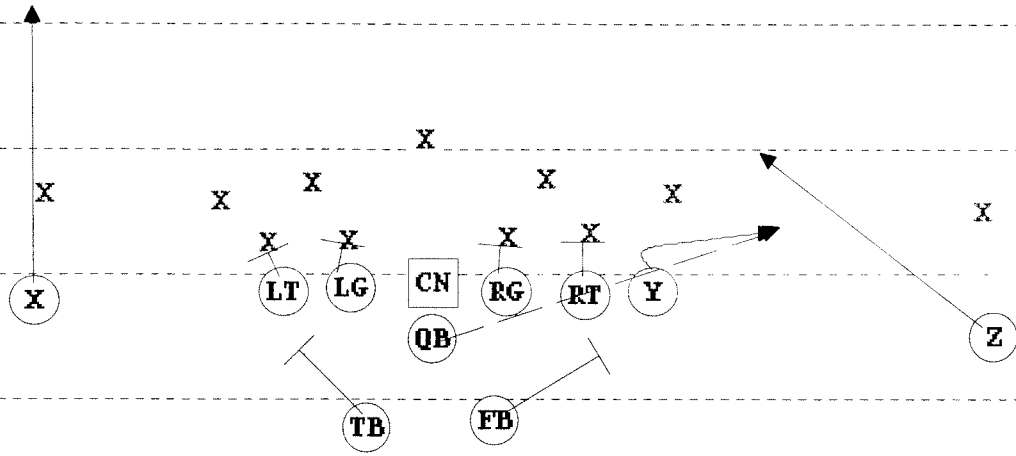
ProRt 32 Blast- the 3back step across and take the handoff from the qb and follows the 2back thru the 2 hole and hits it hard. The center goes and get the inside lb and the rg and the rt blast block.



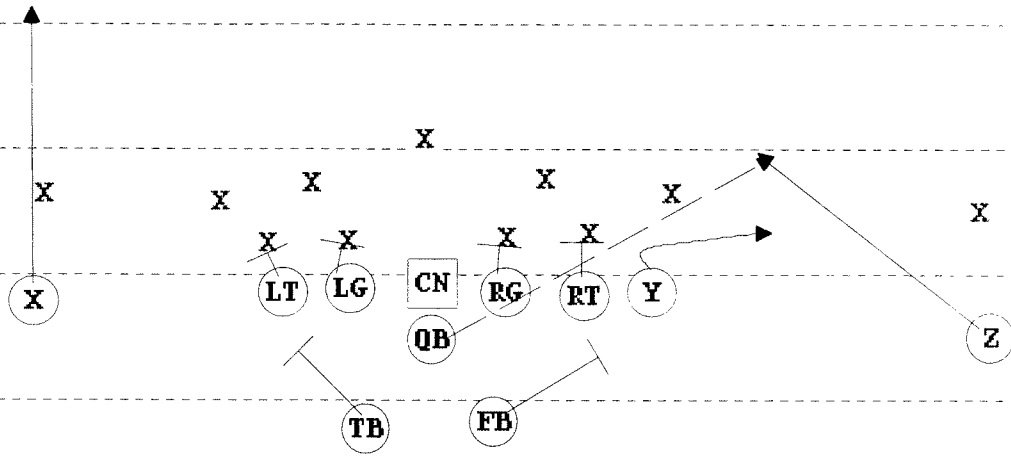
pro\_rt 38sweep- the 3back follows the 2b on a sweep to the right side of the line, the x receiver goes runs a fly pattern and the wingback blocks the outside backer and the fullback takes on the corner.



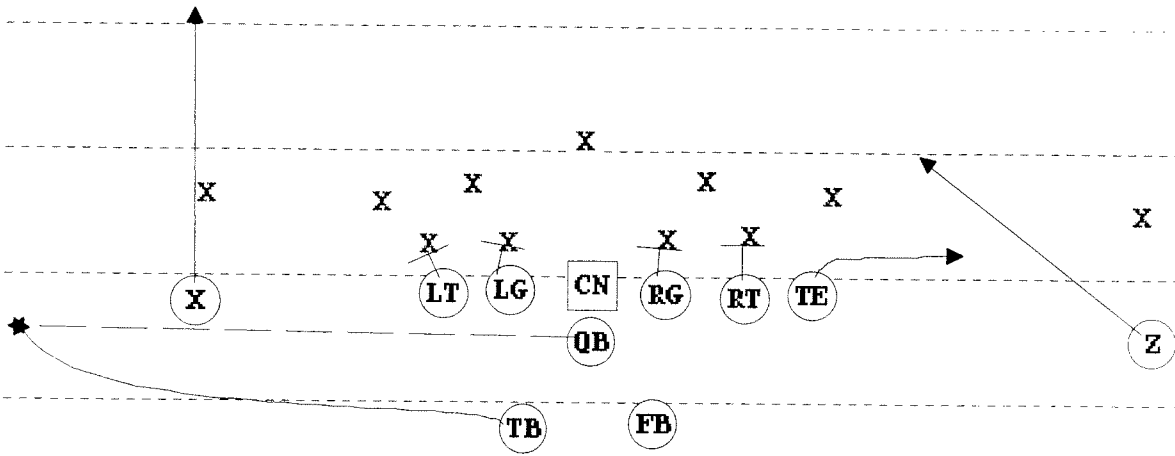
ProRt Xfly. - Xruns a flypatten, Z runs a slant Y runs an out



ProRt Yout. - Xruns a flypatten, Z runs a slant Y runs an out



ProRt Zslant. - Xruns a flypatten, Z runs a slant Y runs an out



ProRt HBswing. - Xruns a flypatten, Z runs a slant HBruns a swing rout.