

# Cyber Coach Free Resource

Public Domain Document

Cover Sheet: cc\_O\_sb01

Date published to web: 4/25/2005

Courtesy of:

Document Title: SB1

Season(s) used:

Age Group: 5-14 yrs

Grade(s): 3rd through 7th

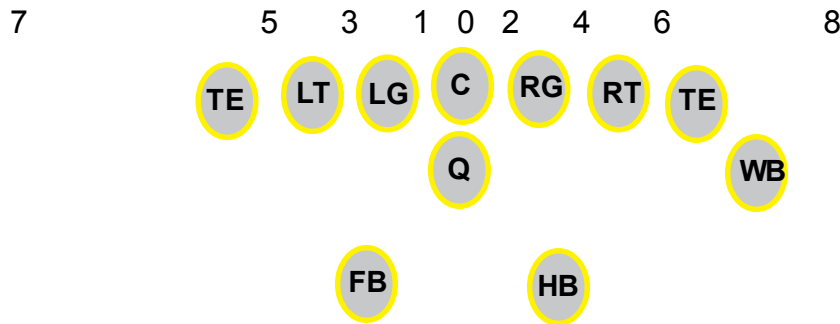
Description: Split Back Formation Offensive Plays. These plays represent a base offense that can be extrapolated into a total offensive scheme.

Courtesy of Cyber\_Coach: <http://www.cyber-shack.net/CyberCoach/>

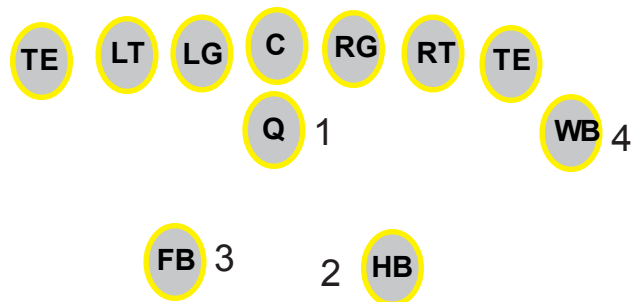


# Numbering System

The following are how the holes in the offensive line are numbered. Right even, Left odd.

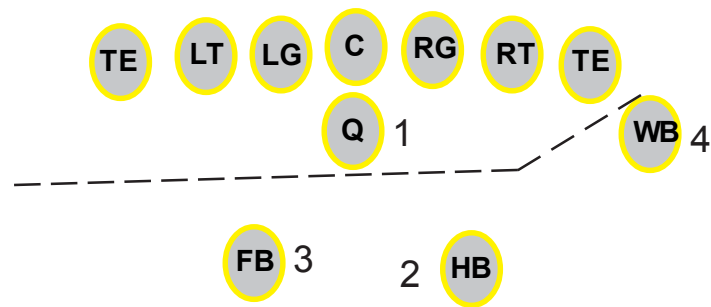


The following are how the offensive backs are numbered.



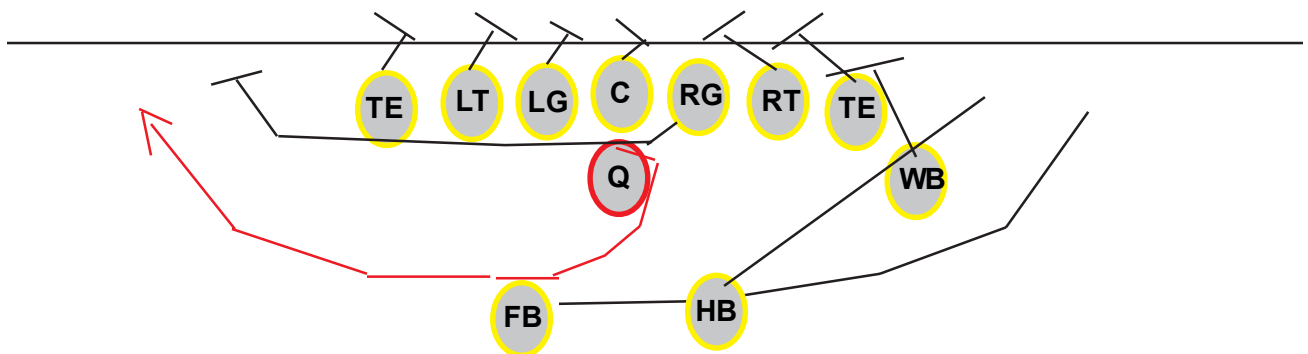
This is a basic set of Split Back plays. It is a simple system that can be executed fairly easy. You can add to this by flipping sides and splitting out receivers.

You can put the Wing Back in Motion by calling **RIP** in the huddle.

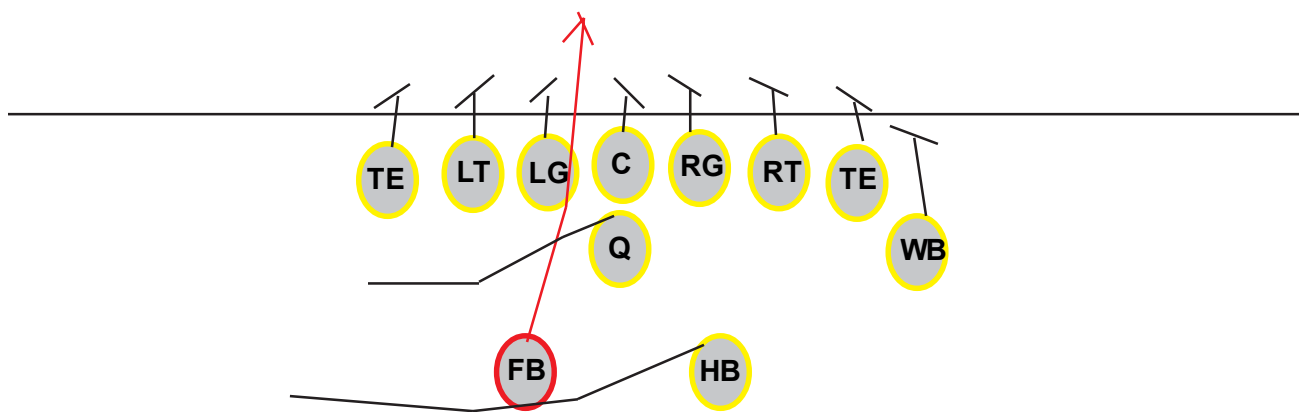


---

17 Boot



# 31 Dive



---

# 27 Sweep RIP

