

Cyber Coach Free Resource

Public Domain Document

Cover Sheet: cc_O_wb01

Date published to web: 4/23/2000

Discussion ID: WB1

Courtesy of:

Document Title: Wishbone Offense

Season(s) used: 1995-1998

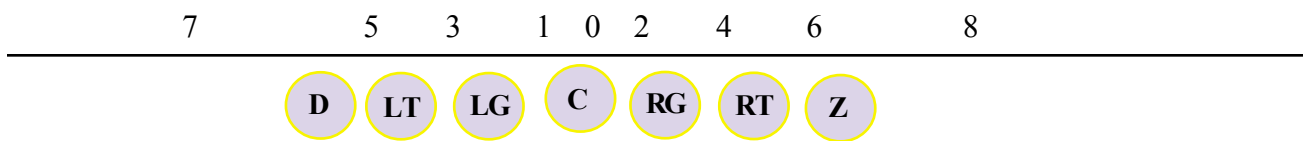
Age Group: 10-14 yrs

Grade(s): 4th through 7th

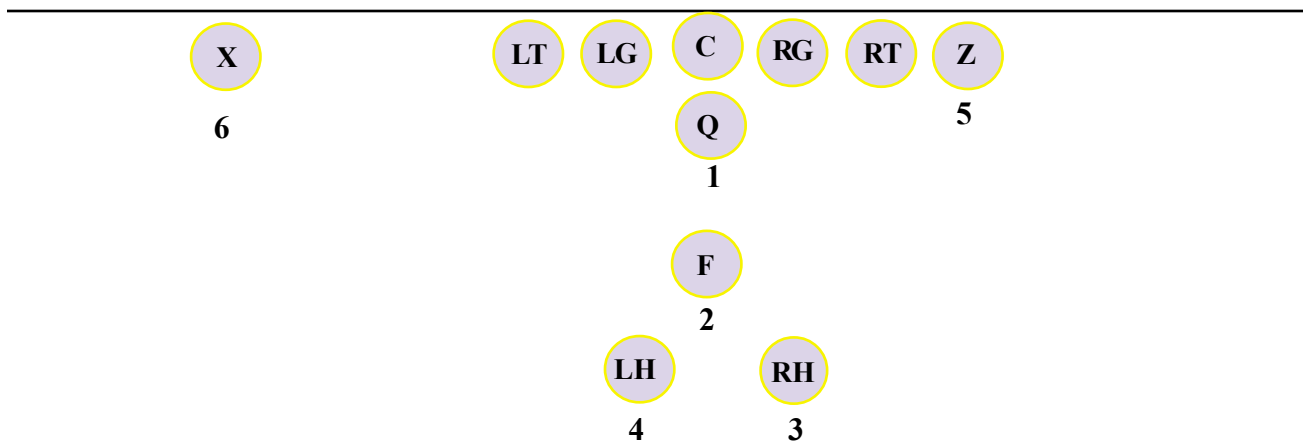
Description: Wishbone Offensive Plays. These plays represent a base offense that can be extrapolated into a total offensive scheme.

Numbering System

The following are how the holes in the offensive line are numbered. Right even, Left odd.

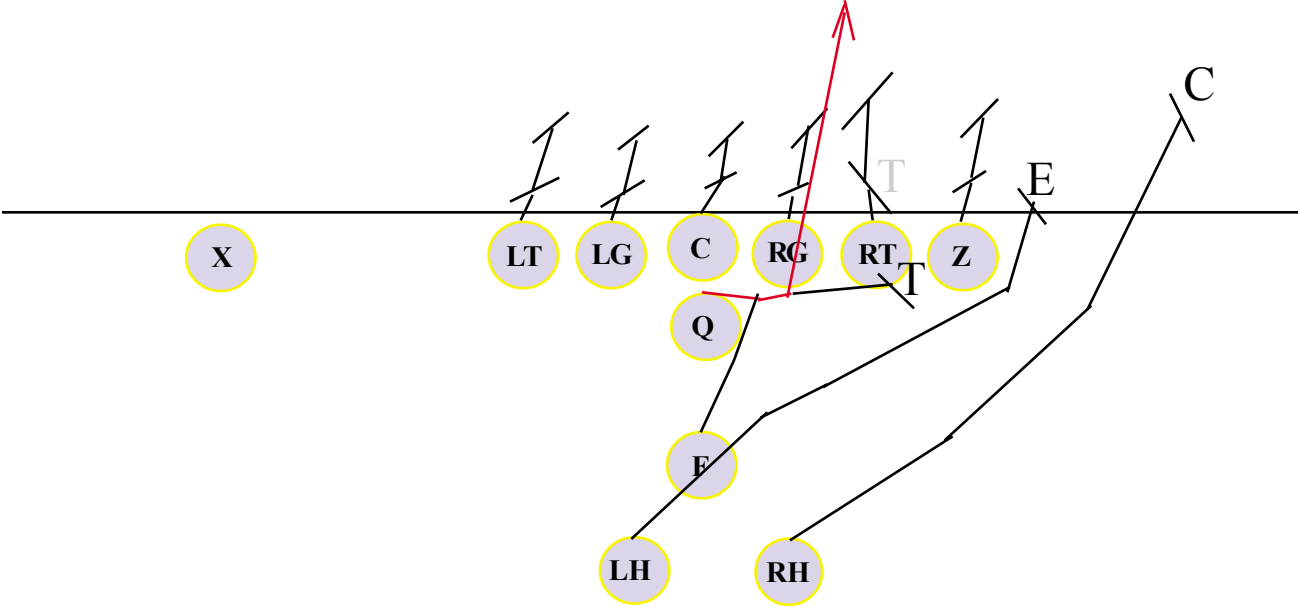


The following are how the offensive backs are numbered.



Belley Series Fullback Dive off

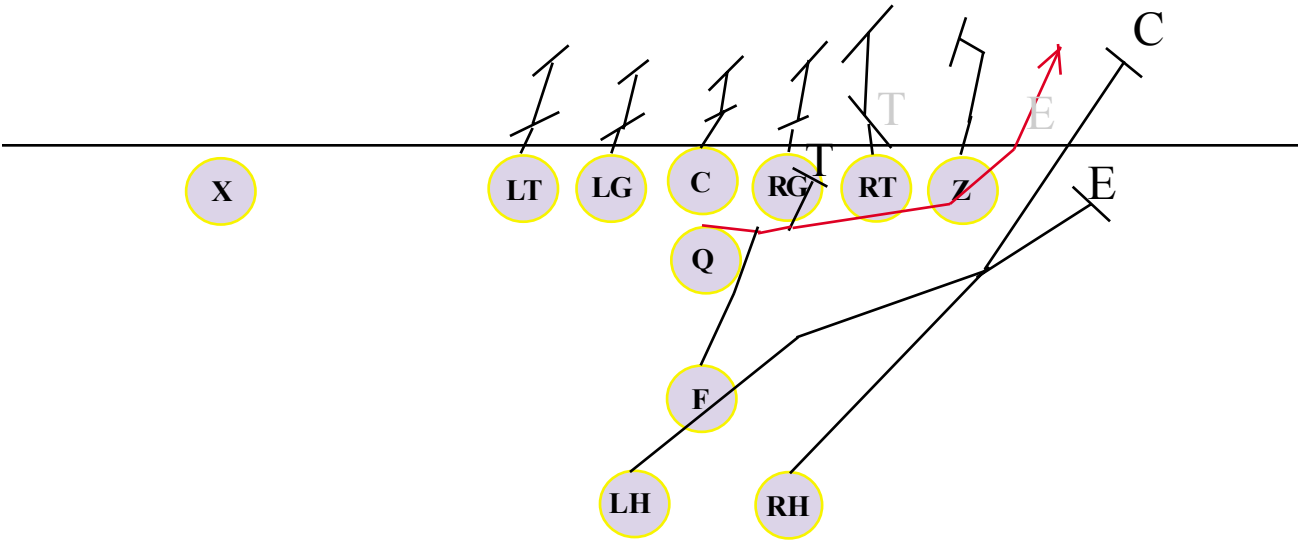
Defensive Tackle read



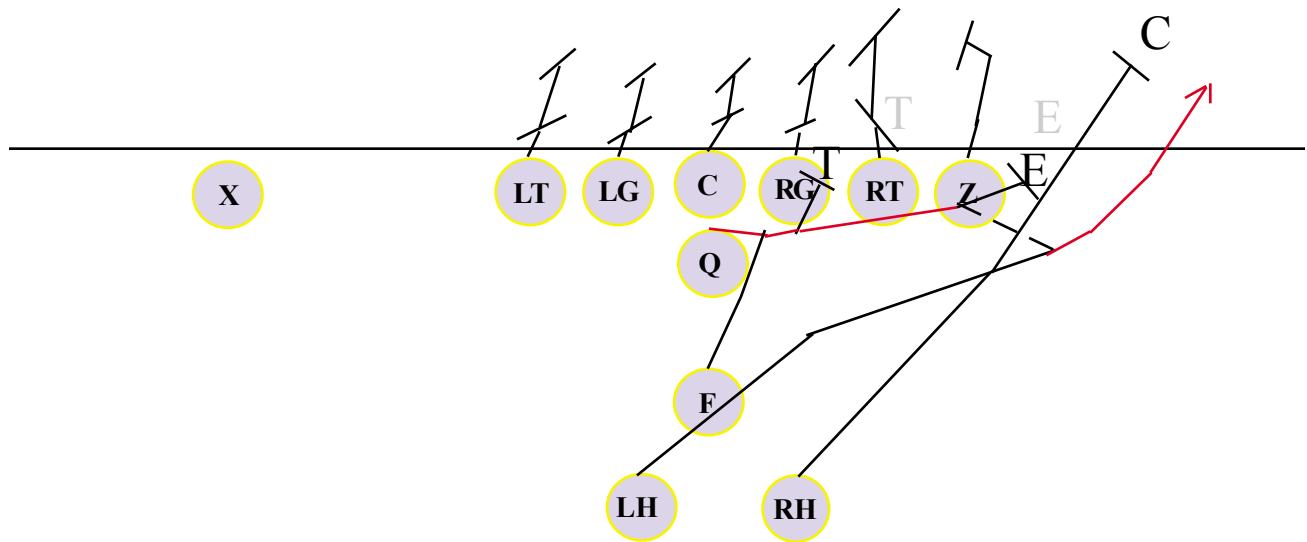
Belley Series Quarter Back

Keeper off Defensive Tackle read

then Defensive End read

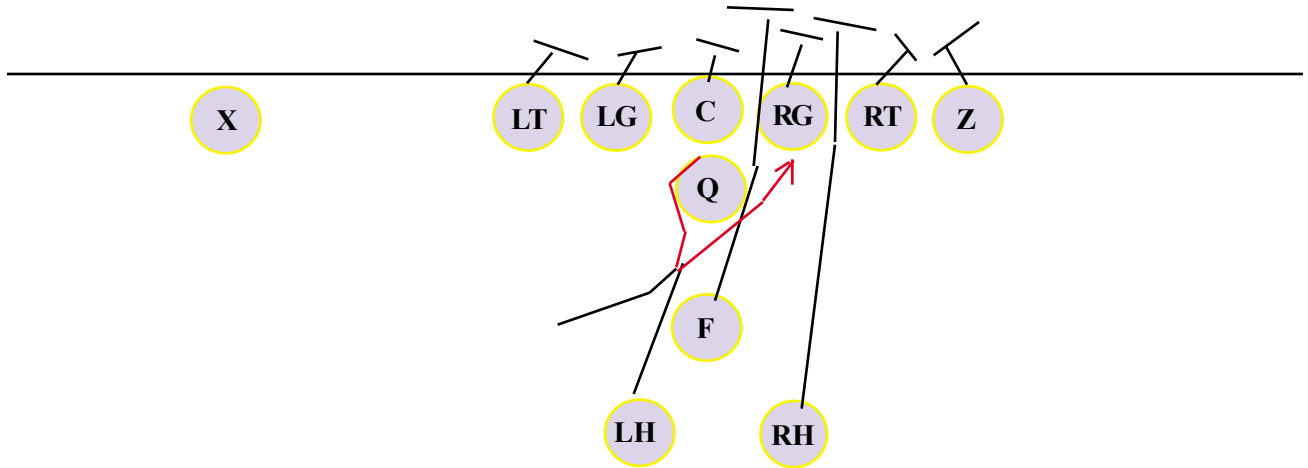


Belley Series Halfback pitch off
 Defensive Tackle read then Defensive End read

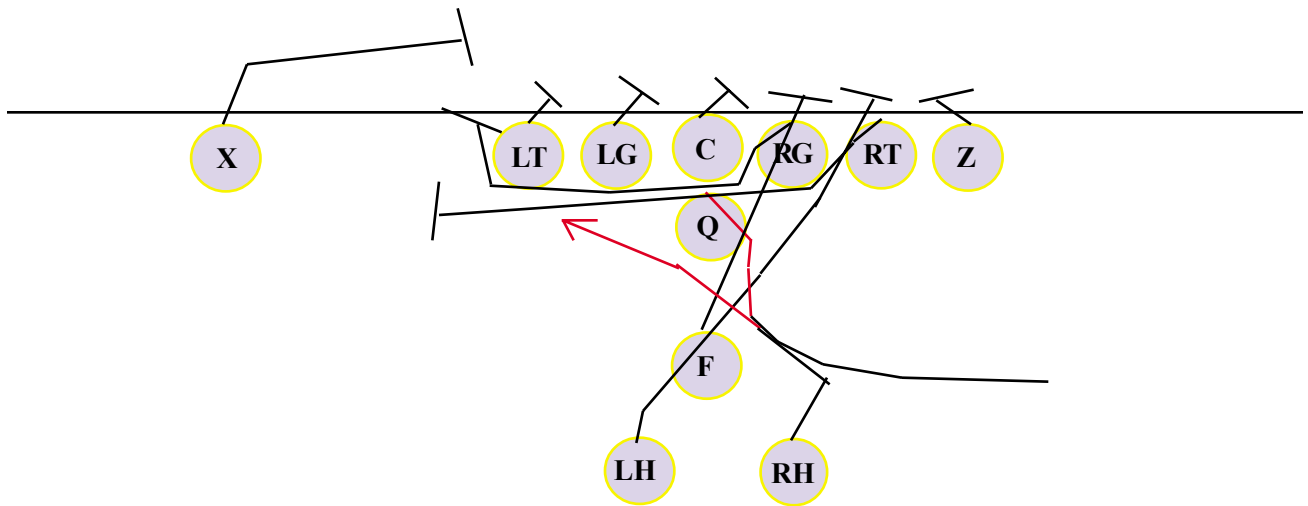


The Belley Series can be ran both right and left. The play is dictated based on the defense reaction and the quarterback read. The offensive linemen brush block as shown above and get downfield blocks on linebackers and defensive backs. The blocking scheme shown above works well on 52 defenses. The blocking scheme and QB defensive reads will need to be adjusted based on the defenses you will encounter.

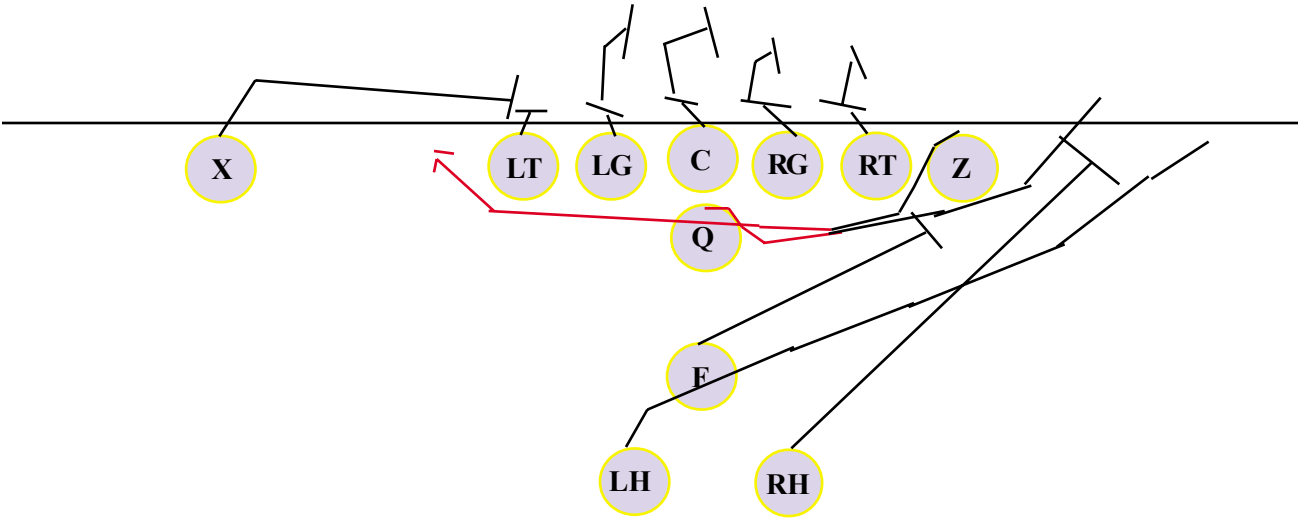
42 Dive



35 Counter



55 Reverse



32 Delay

